

SERIES 1200

VARIABLE AREA FLOWMETER



DATA SHEET

1 of 4



The Series 1200 range of Variable Area Flowmeters will provide instantaneous flow rate measurement of virtually any process gas or liquid. They are available in three standard tube length sizes; long 295mm where high resolution scale accuracy is required, standard 138mm, a universal tube length and compact 93mm, where space is at a premium.

To ensure optimum application flexibility they are available as normally front of panel mounted, rear of panel mounted and are supplied complete with bezel and mounting kits. They can be supplied with either nickel plated brass, anodised aluminium alloy, stainless steel connections and as rear-facing connections, with or without integral control valves.

SERIES 1200 FEATURES

- Three standard lengths available
- Direct reading of instantaneous flow rates
- Valved or non-valved versions
- Straight through or rear facing connections
- Bezel and mounting kit available for all versions
- Frictionless, hence low head loss
- Lightweight, yet robust construction
- Tube assembly easily removed / replaced in-situ
- Easy to read scale
- Suitable for front or rear of panel mounting
- Standard or customised flow scales
- Alarm point signals
- Ni plated brass, anodised aluminium and stainless steel connections
- Wide range of accessories
- Minimal maintenance long service life

[Technical Specification >](#)

FILTON PROCESS CONTROL ENGINEERING

sales@filton.com www.filton.com

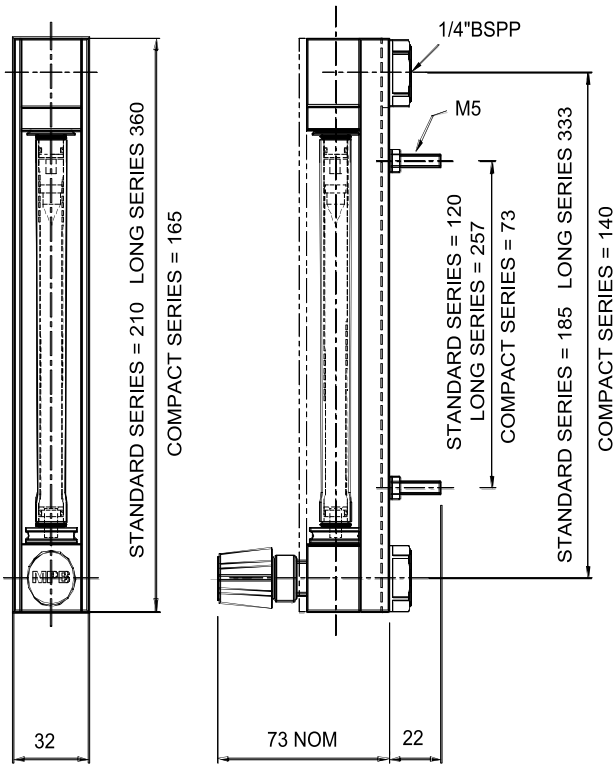
SERIES 1200

Technical Specification

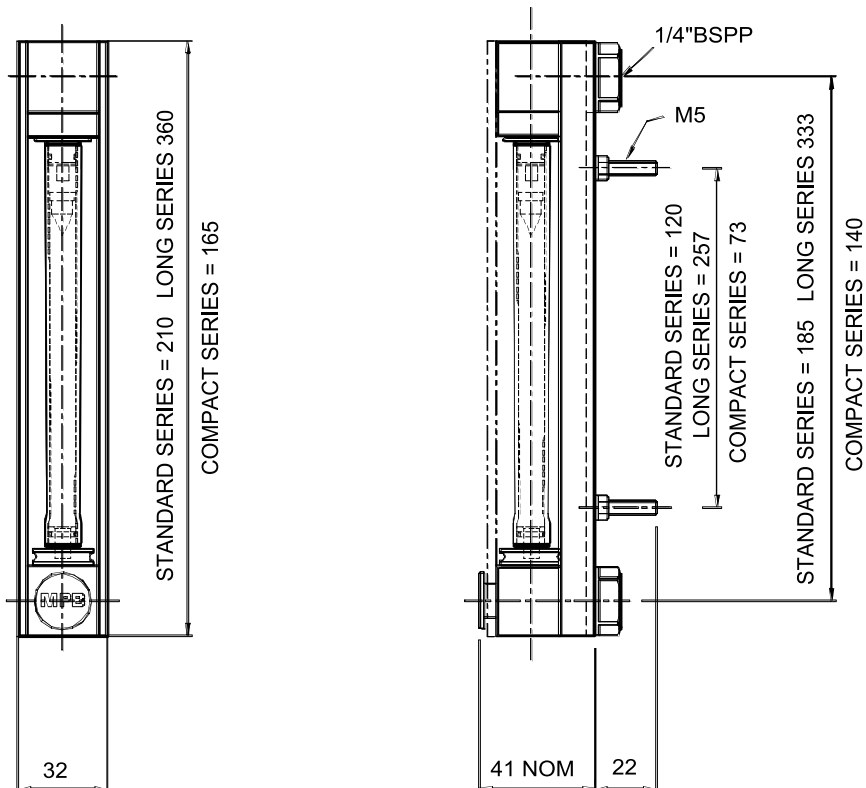
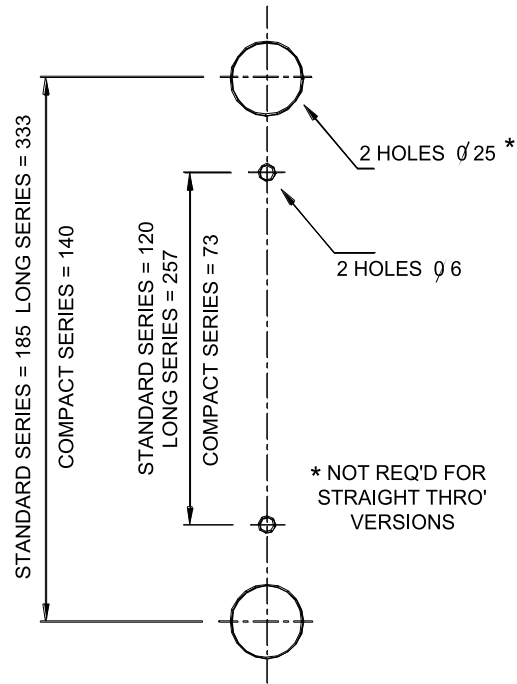


1200 VARIABLE AREA FLOWMETER DIMENSIONS AND INSTALLATION DETAILS

REAR FACING VERSIONS



1200 SERIES-REAR ENTRY CUTOUT DETAIL



Please contact Filton Process Control Engineering for separate sheet detailing panel cut outs for rear of panel mounted flowmeters.

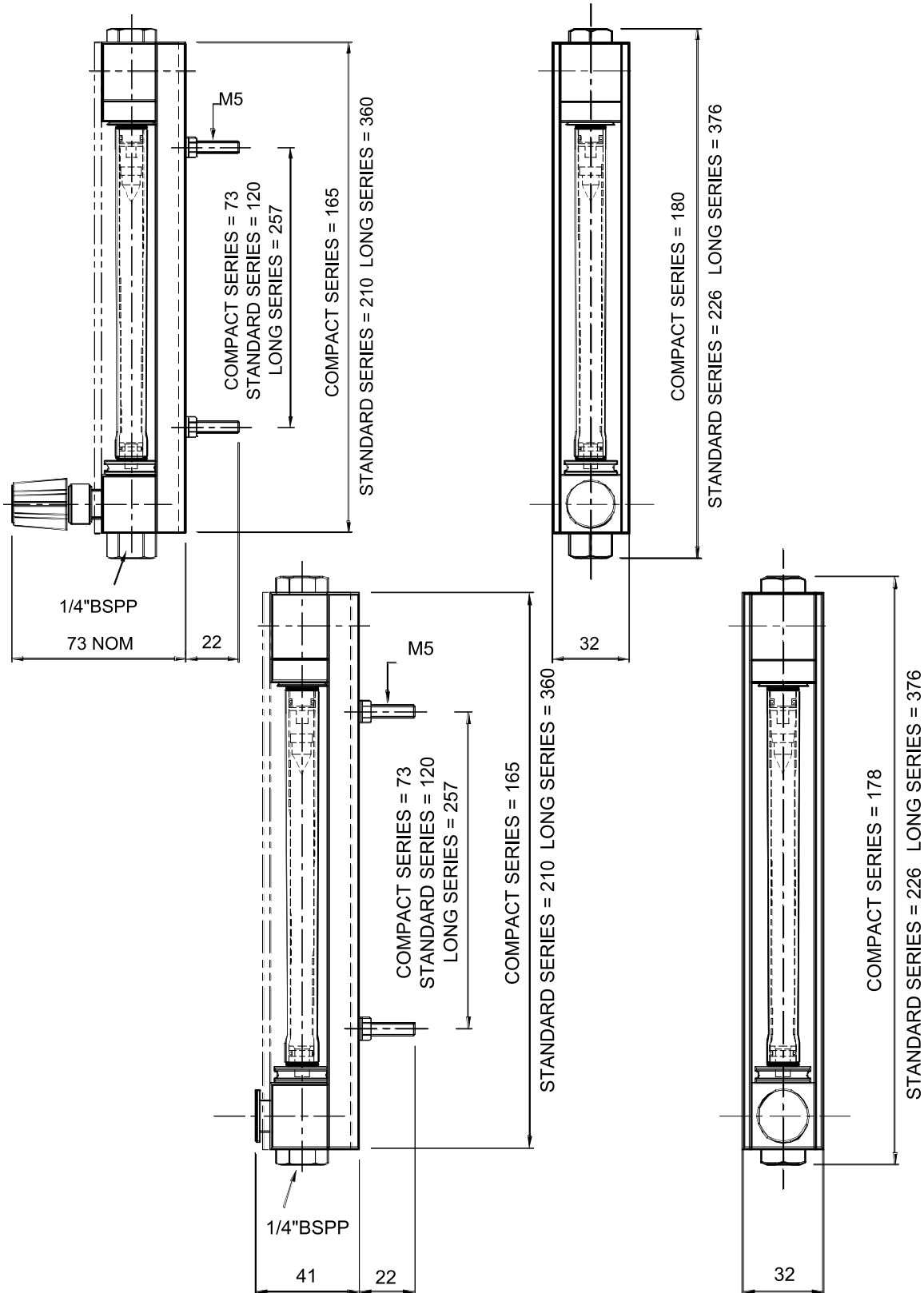
Due to the constant development and improvement of products, information may be altered or withdrawn without notice.

SERIES 1200

Technical Specification



1200 VARIABLE AREA FLOWMETER DIMENSIONS STRAIGHT THROUGH CONNECTIONS



Please contact Filton Process Control Engineering for separate sheet detailing panel cut outs for rear of panel mounted flowmeters.

Due to the constant development and improvement of products, information may be altered or withdrawn without notice.

SERIES 1200

Technical Specification



1200 VARIABLE AREA FLOWMETER		Plumb Bob Floats:	Hard anodised aluminium Stainless steel
Chassis:	Anodised aluminium to BSEN12373/AA25	Ball Floats:	Glass, Stainless steel, Ceramic, Ruby, Tungsten
End Blocks:	Ni plated brass Stainless steel Anodised aluminium alloy	Weight:	570/670 grams (standard)
Process Connections:	1/4" BSPPF rear facing 1/4" BSPPF straight through	Maximum Working Pressure:	Gas: up to 20 bar g (non shock) Liquid: up to 20 bar g (non shock)
Valve Stem:	Stainless steel	Maximum Working Temperature:	60°C Nitrile 100°C Viton
Cover:	Polycarbonate	Accuracy:	± 5% FSD predicted ± 2% FSD series calibrated
Seals:	Nitrile or Viton		
Metering Tube:	Borosilicate glass (93mm, 138mm and 295mm long)		

STANDARD RANGES

1200 COMPACT SERIES		1200 STANDARD SERIES		1200 LONG SERIES	
93mm TUBE LENGTH 20°C/1013 mbar abs		138mm TUBE LENGTH 20°C/1013 mbar abs		295mm TUBE LENGTH 20°C/1013 mbar abs	
AIR @ STP	WATER	AIR @ STP	WATER	AIR @ STP	WATER
5 – 50 cc/min	–	5 – 50 cc/min	5.0 – 50 cc/min	5 – 50 cc/min	5 – 50 cc/min
10 – 100 cc/min	–	10 – 100 cc/min	10 – 100 cc/min	10 – 100 cc/min	10 – 100 cc/min
25 – 250 cc/min	5.0 – 50 cc/min	25 – 250 cc/min	25 – 250 cc/min	25 – 250 cc/min	25 – 250 cc/min
50 – 500 cc/min	10 – 100 cc/min	50 – 500 cc/min	50 – 500 cc/min	100 – 1000cc/min	50 – 500 cc/min
100 – 1000 cc/min	25 – 250 cc/min	0.1 – 1.0 L/min	0.1 – 1.0 L/min	0.25 – 2.5 L/min	0.1 – 1.0 L/min
0.25 – 2.5 L/min	60 – 600 cc/min	0.25 – 2.5 L/min	0.2 – 2.0 L/min	0.5 – 5.0 L/min	0.2 – 2.0 L/min
0.5 – 5 L/min	100 – 1000 cc/min	0.5 – 5.0 L/min	0.3 – 3.0 L/min	0.75 – 7.5 L/min	0.3 – 3.0 L/min
1.0 – 10 L/min		1.0 – 10 L/min	0.5 – 5.0 L/min	1.0 – 10 L/min	0.5 – 5.0 L/min
2.5 – 25 L/min		1.5 – 15 L/min	0.75 – 7.5 L/min	1.5 – 15 L/min	1.0 – 10 L/min
4.0 – 40 L/min		2.5 – 25 L/min	1.0 – 10 L/min	2.5 – 25 L/min	
12 – 120 L/min		5.0 – 50 L/min		3.0 – 30 L/min	
15 – 150 L/min		10 – 100 L/min		5.0 – 50 L/min	
		15 – 150 L/min		10 – 100 L/min	
				15 – 150 L/min	

Customised flow ranges are available.

Please consult Filton Process Control to select the required flow range for the process fluid.

Due to the constant development and improvement of products, information may be altered or withdrawn without notice.

FILTON PROCESS CONTROL ENGINEERING

Floor 3, 5A Boltro Road, Haywards Heath, West Sussex RH 16 1BP
 T: 01444 417880 F: 01444 417668 sales@filton.com